



211 North Lindbergh Blvd.
 St. Louis, MO 63141
 888.535.5005 tel
 314.754.0835 fax
specify@anovafurnishings.com
anovafurnishings.com



P48AGCT
ESSENCE RECEPTACLE
 48-gallon bonded aggregate panel
 receptacle with curved aluminum top
 and plastic liner

Material

The 48-gallon receptacle is composed of .5" thick aggregate and epoxy bonded to a hardboard substrate and supported by a non-rusting aluminum frame. The receptacle includes rubber feet and a non-rusting curved aluminum top that provides a wide waste opening while keeping out the elements. The top lifts off for easy trash removal.

The reusable plastic liner is made of black high-density polyethylene.

The receptacle is designed to be portable, allowing for flexibility in placement.

Finish

The aggregate is cast in a durable epoxy resin that remains clear and bright throughout its life.

Color

See website or sales representative for color choices.

Assembly

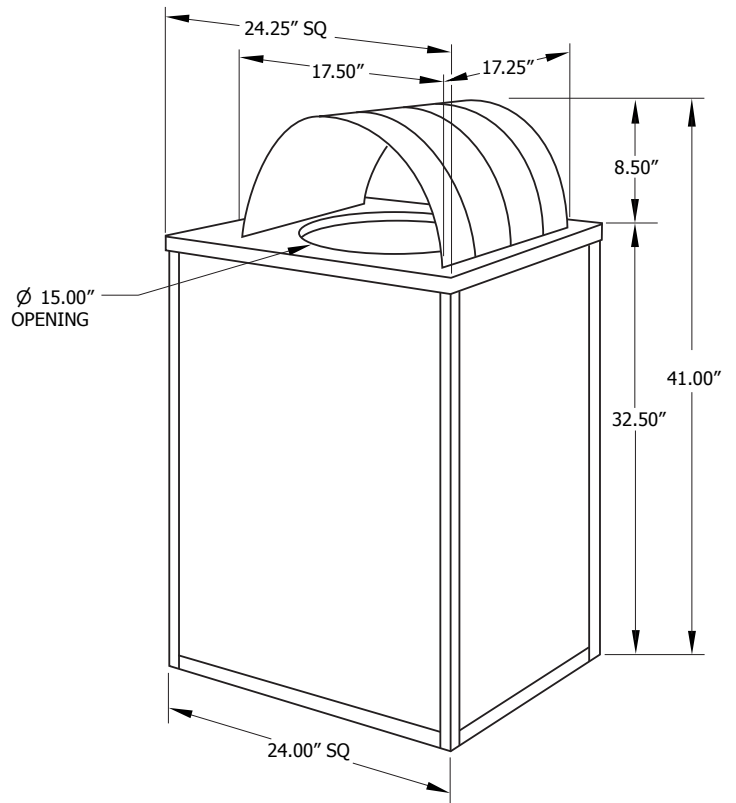
The receptacle arrives fully assembled for immediate use on site.

Maintenance

Maintenance-free. To clean, spray with a power washer.

Warranty

5-year limited structural warranty from the date of purchase. See full details on multi-year warranties for components at www.anovafurnishings.com/warranty.aspx.



Replacement Parts

Hold Down Kit **PANELHLD**
 Black Plastic Liner **R-P48PLR**

Accessories

Hold Down Kit **PCSHLD**

Shipping Information

Unit Wt.	Unit Shipping Wt. UPS	Unit Shipping Wt. Truck (1+ Units)	Unit Ship Size	Max Units per Pallet	Pallet Wt.	Total No. Pkgs	Shipping Class
169 lbs	N/A	185 lbs/unit	17 cu. ft.	N/A	N/A	1	125